



BUREAU
VERITAS

Bureau Veritas Certification

MISELLI S.R.L

Via Caduti Delle Reggiane,46/48 - 42122 REGGIO EMILIA (RE) - Italy

Certified site:

Via Caduti Delle Reggiane,46/48 - 42122 REGGIO EMILIA (RE) - Italy

Bureau Veritas Certification Holding SAS - Italy Branch certifies that the Management System of the above organisation has been audited and found to be in accordance with the requirements of the management system standards detailed below

ISO 9001:2015

Scope of certification

Design, production and resales of accessories for hydraulic components made of thermoplastic and metal materials.

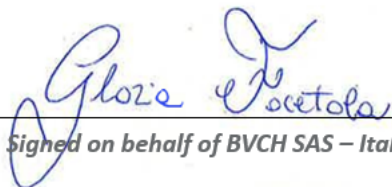
IAF:14,29

Original Cycle Start Date:	20-June-2013
Expiry date of previous cycle:	18-June-2025
Certification / Recertification Audit date:	26-May-2025
Certification/Recertification Cycle Start date:	18-June-2025
Subject to the continued satisfactory operation of the organization's Management System, this certificate expires on:	18-June-2028

Certificate No. **IT343566**

Version: **2**

Revision date: **18-June-2025**


Signed on behalf of BVCH SAS – Italy Branch



02138

Membro degli Accordi di Mutuo Riconoscimento EA e IAF
Signatory of EA and IAF Mutual Recognition Agreements

Certification body address: Viale Monza, 347 - 20126 Milano (MI) Italy

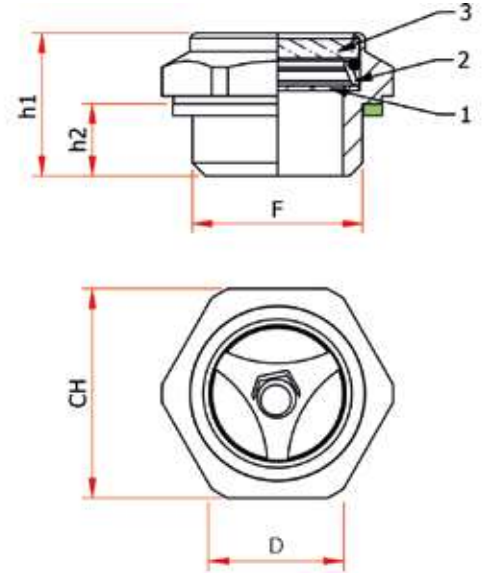
Local office: Viale Monza, 347 - 20126 Milano (MI) Italy

Further clarifications regarding the scope of this certificate and the applicability of the management system requirements may be obtained by consulting the organization.

To check the validity of this certificate please double click or scan QR CODE



SM - OIL LEVEL INDICATOR - ALUMINUM AND CRYSTAL CLEAR PLASTIC



- 1 - Contrast screen
- 2 - Spacer
- 3 - Plastic viewer

Threaded hex-head oil level indicator. Internal contrast screen in aluminum helps the control of the level inside the tank.

-**Material:** aluminum alloy.

-**Lens:** transparent PA Polyamide, compatible with mineral and synthetic oils, diesel, brake fluid and some unleaded fuel; avoid contact with alcohol based solutions and antifreeze liquids, especially at high temperatures.

-**Sealing:** flat fiber gasket.

-**Maximum working temperature:** 90°C/194°F.

-**Max operating pressure:** 5 bar/14,5 PSI.

Special versions

Sealing: flat aluminium gasket.

Cod.	F	CH	D	h1	h2	Nm	Weight gr	Pack.
SM/14	G.1/4"	17	19	18,8	8	4	5	100
SM/38	G.3/8"	22	24	18	9	10	9	100
SM/12	G.1/2"	27	29,5	20	9	15	15	100
SM/34	G.3/4"	32	35,5	22	11	22	22,5	50
SM/1	G.1"	40	44	22	10	25	35	50
SM/114	G. 1 1/4"	50	55	27	12	-	60	5
SM/112	G. 1 1/2"	55	62	26	13	-	80	5
SM/14.15	M14x1,5	17	18,5	17	8	4	5	100
SM/16.15	M16x1,5	22	24	18	9	10	8,5	100
SM/18.15	M18x1,5	22	24	18	9	12	14	100
SM/20.15	M20x1,5	24	26,5	21	10	15	12	100
SM/22.15	M22x1,5	27	29,5	20	9	15	15	100
SM/24.15	M24x1,5	30	33,5	24	11	18	22,5	100